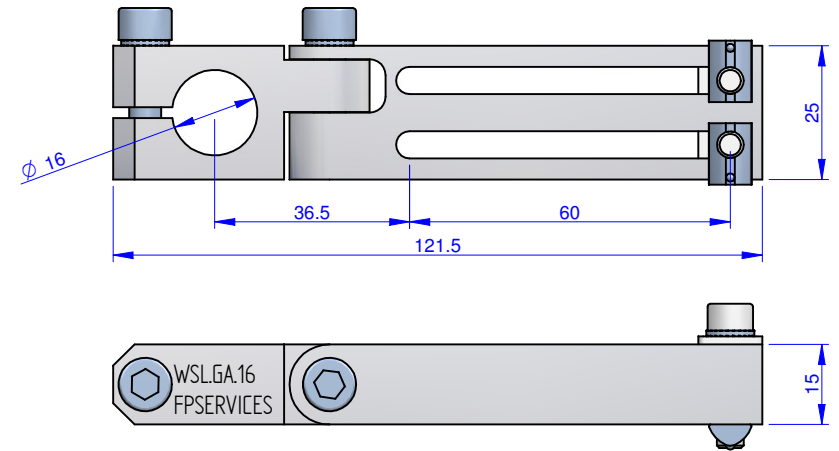
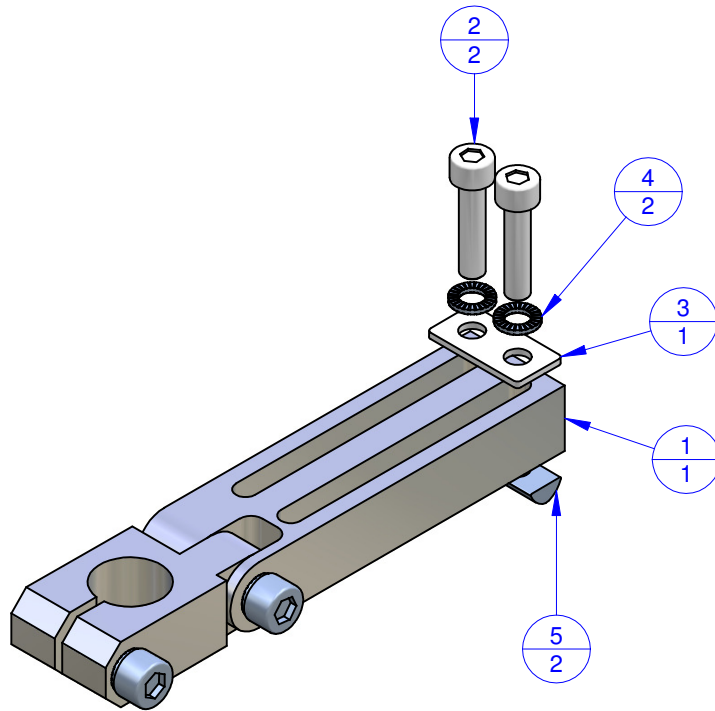


THE PROPERTY OF THIS DRAWING IS ESTABLISHED BY LAW  
IT IS FORBIDDEN TO REPRODUCE IT OR SHOW IT TO THIRD PARTY  
WITHOUT A WRITTEN AGREEMENT.



Object Number	Name	QTY
1	CA.WSL.GA.16	1
2	V.TCEI M5X22	2
3	R.05.12	1
4	R.5.SCH	2
5	CA.02.05.003	2

MODIFICATIONS:

7	10
8	11
9	12

VARIED DIMENSIONS AS OF DATE:

MODIFICATIONS:

1	4
2	5
3	6

VARIED DIMENSIONS AS OF DATE:

Format **A3**  
UNI 936-76

<b>FP Services</b>		DESIGNED FROM FPSERVICES	
GENERAL TOLERANCE: UNI - ISO 2768 CLASSE f		DATE 07/2015	WEIGHT 0,116 kg
DESCRIPTION		CODE <b>CA.WSL.GA.16.5</b>	